



Spin Dryers Vegetable Dryer, 5 Kg - Automatic cycle

ITEM # _____

MODEL # _____

NAME # _____

SIS # _____

AIA # _____



603354 (DEL40F)

5 kg vegetable dryer with 32 lt basket volume. Spin drying automatic cycle

Short Form Specification

Item No. _____

Body in stainless steel and basket in high quality resin. Fully opening plastic lid, equipped with a micro switch to stop the machine if lid is opened. Two cycles: "automatic" which alternates rotation with several sudden stops (for all vegetables); "manual" thanks to the adjustable timer up to 59 minutes (for delicate vegetables). Flat and waterproof touch button control panel. Rotation speed: 450 rpm. Residual water is eliminated through an outlet pipe. IP55 and IP34 protection. Supplied with 32 litre basket. Load capacity: 5 kg- 9 lettuce heads.

Main Features

- Spin drying cycle with short drying time (1 to 2 minutes).
- "Automatic" cycle alternates rotation to several sudden stops, suitable for all vegetables.
- "Manual" cycle uses adjustable timer up to 59 minutes, to be used for delicate vegetables.
- Outlet pipe eliminates residual water.
- Timer with digital display and countdown.
- Heavy vegetables load per cycle: 5 Kg
- Light vegetables load per cycle: 9 units of lettuce heads.
- Safety device stops the machine when the cover is opened.
- Electrical braking system to stop basket rotation in a matter of seconds at the end of the cycle or when lid is opened.

Construction

- Stainless steel body.
- Resin basket, 32 liters in capacity.
- Basket rotates at approximately 450 rpm.

Included Accessories

- 1 of Basket for 5 kg vegetable dryer PNC 653131

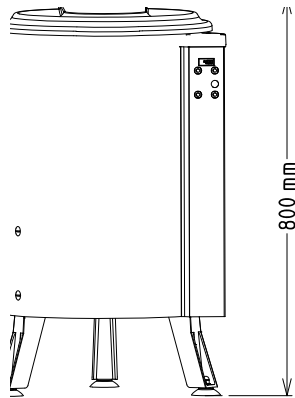
Optional Accessories

- Basket for 5 kg vegetable dryer PNC 653131

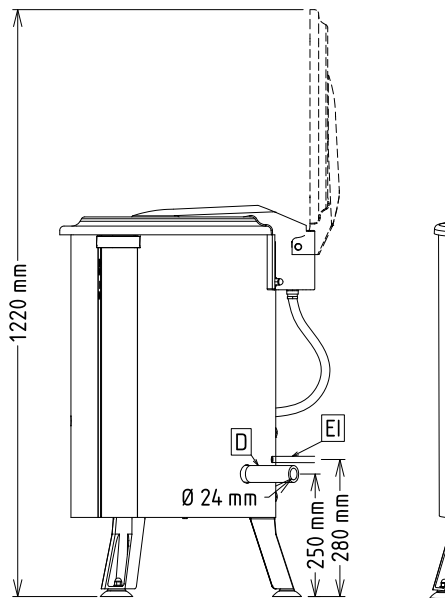
APPROVAL: _____



Spin Dryers Vegetable Dryer, 5 Kg - Automatic cycle

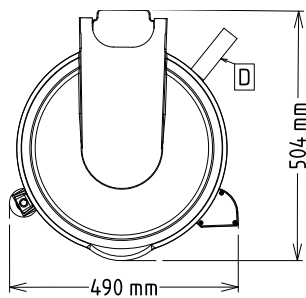


Front



Side

D = Drain
EI = Electrical inlet
(power)



Top

Electric

Supply voltage:

603354 (DEL40F) 220-240 V/1N ph/50/60 Hz

Electrical power max.:

0.37 kW

Total Watts:

0.37 kW

Key Information:

Well Capacity: 32 lt

Usable well capacity: 32 lt

**Load per cycle - light
vegetables:** 9 units of lettuce

**Load per cycle - heavy
vegetables:** 5 KG VEGETABLES

**External dimensions,
Width:** 460 mm

**External dimensions,
Depth:** 540 mm

**External dimensions,
Height:** 800 mm

Shipping weight: 47 kg



Spin Dryers
Vegetable Dryer, 5 Kg - Automatic cycle
The company reserves the right to make modifications to the products
without prior notice. All information correct at time of printing.

2024.04.24